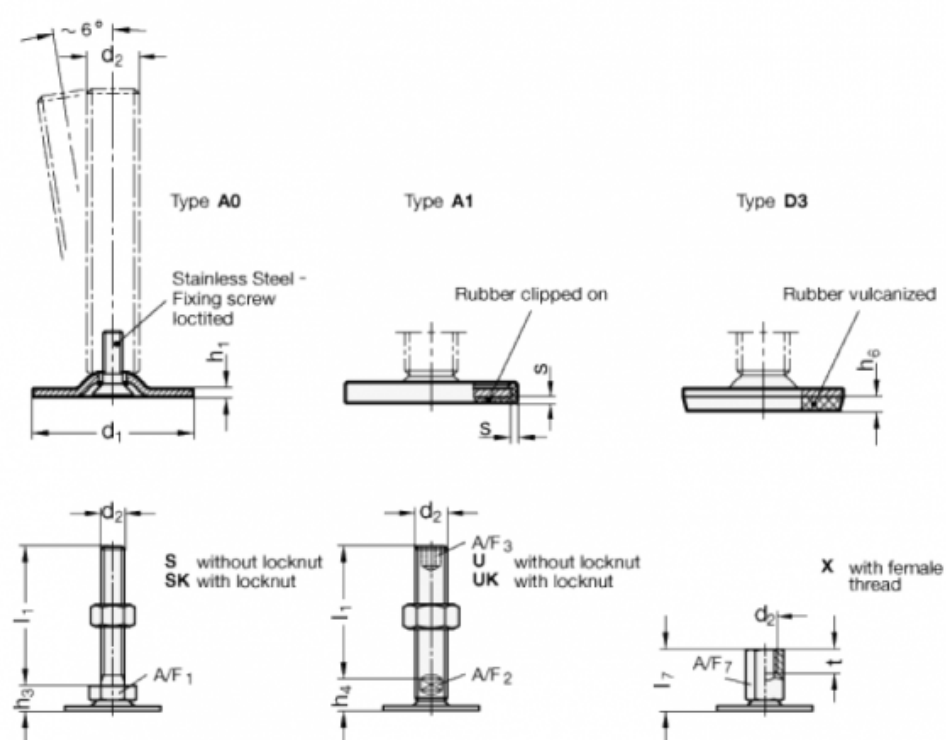


Article number: 204050M850A3S

Description: E+G levelling foot  
GN 40-50-M8-50-A3-S

Note: S Without nut, External hexagon at the bottom

## Measures



|      |       |
|------|-------|
| A/F1 | = 17  |
| d1   | = 50  |
| d2   | = M8  |
| h1   | = 2.5 |
| h3   | = 11  |
| h6   | = 4   |
| l1   | = 50  |
| s    | =     |